

Structure Silicon Monolithic Integrated Circuit

Product Name 16bit D/A Converter + Audio Path

Type **BU7858KN**

Features stereo 16-bit DAC, internal stereo headphone output function
Multi Output/Input system, Include multi mixing function

○Absolute Maximum Ratings (Ta=25 °C)

Parameter	Symbol	Rating	Unit	Condition
Supply Voltage	VDD	-0.3 to 4.5	V	
Input Voltage	VIN	DVSS-0.3 to DVDD+0.3 AVSS-0.3 to AVDD+0.3	V	
Input Current	IIN	-1 to 1	mA	
Power Dissipation	Pd	580(*1)	mW	
Storage Temperature Range	Tstg	-55 to 125	°C	
Operation Temperature Range	Topr	-20 to 85	°C	

(*1) To use at a temperature higher than Ta=25 °C, delete 5.8mW/°C
This value is the package on ROHM standard board.

○Recommended operating conditions (Ta=-20 to 85 °C)

Parameter	Symbol	Rating			Unit	Condition
		Min.	Typ.	Max.		
Supply Voltage	VDD	2.7	3.0	3.3	V	

This product isn't designed to protect itself against radioactive rays.

Status of this document

The Japanese version of this document is the formal specification.
A customer may use this translation version only for a reference to help reading the formal version.
If there are any differences in translation version of this document, formal version takes priority.

Application example

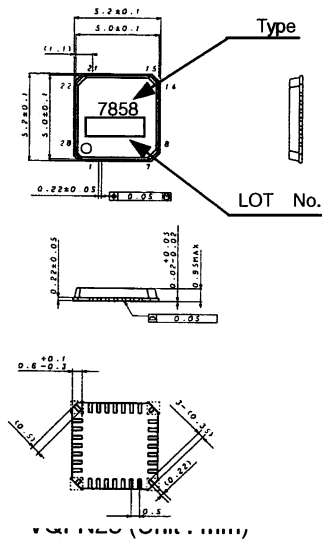
The product described in this specification is designed to be used with ordinary electronic equipment or devices (such as audio-visual equipment, office-automation equipment, communications devices, electrical appliances, and electronic toys).
Should you intend to use this product with equipment or devices which require an extremely high level of reliability and the malfunction of which would directly endanger human life (such as medical instruments, transportation equipment, aerospace machinery, nuclear-reactor controllers, fuel controllers and other safety devices), please be sure to consult with our sales representative in advance.

○Electrical Characteristics

Unless otherwise specified, Ta=25 °C, AVDD=DVDD=3.0V, f=1kHz, VIN=-10dBV, fs=44.1kHz, BCLK=64fs, BW=10Hz to 20kHz

Parameter	Symbol	Rating			Unit	Conditions
		MIN	TYP	MAX		
Circuit Current						
Stand-by current	Istb	-	-	3	μA	stand-by mode
Operation current 1	Idd1	-	5.85	9.4	mA	DAC part, No signal
16Bit DAC						
S/(N+D)	SN+D	-	85	-	dB	-0.5dB input
D-Range	DR	-	92	-	dB	-60dB input, A-weighted
S/N	SNR	-	92	-	dB	0dB input, A-weighted
ATT1						
Number of volume steps	Stg1	-	2	-	dB	
Muting level	Mut1	-	-95	-80	dB	At mute setting
ATT2						
Number of volume steps	Stg2	-	2	-	dB	
Muting level	Mut2	-	-95	-80	dB	At mute setting
ATT3						
Number of volume steps	Stg3	-	2	-	dB	
Muting level	Mut1	-	-95	-80	dB	At mute setting
ATT4						
Number of volume steps	Stg4	-	2	-	dB	
Muting level	Mut4	-	-95	-80	dB	At mute setting
ATT5						
Number of volume steps	Stg5	-	2	-	dB	
Muting level	Mut5	-	-95	-80	dB	At mute setting
Headphone AMP						
Total Harmonic Distortion	THDhp	-	0.05	0.5	%	VO=-10dBV 20kHz LPF
Output Power	PO	-	10	-	mW	THD=10%, RL=16Ω
Output Noise Voltage	VNO	-	-94	-80	dBV	JIS A weighting
SPO						
Maximum Output Level 1	VOMAX1	2.0	-	-	V _{P-P}	1kHz, 10kΩLoad, THD≤1%
EXTO						
Maximum Output Level 2	VOMAX2	2.0	-	-	V _{P-P}	1kHz, 600ΩLoad, THD≤1%
Digital Input Operation						
MCLKI Frequency	fMCLK	4.096	-	18.432	MHz	
LRCLK Frequency	fs	16.0	-	48	kHz	
Digital Input Voltage "L"	VIL	-	-	0.2 x DVDD	V	
Digital Input Voltage "H"	VIH	0.8 x DVDD	-	-	V	
Digital Output Voltage "L"	VOL	-	-	0.5	V	Iol=-500μA
Digital Output Voltage "H"	VOH	DVDD -0.5	-	-	V	Ioh=500μA
Input Leak Current 1	IIN1	-	-	±2	μA	0V, 3V Force

○External dimensions

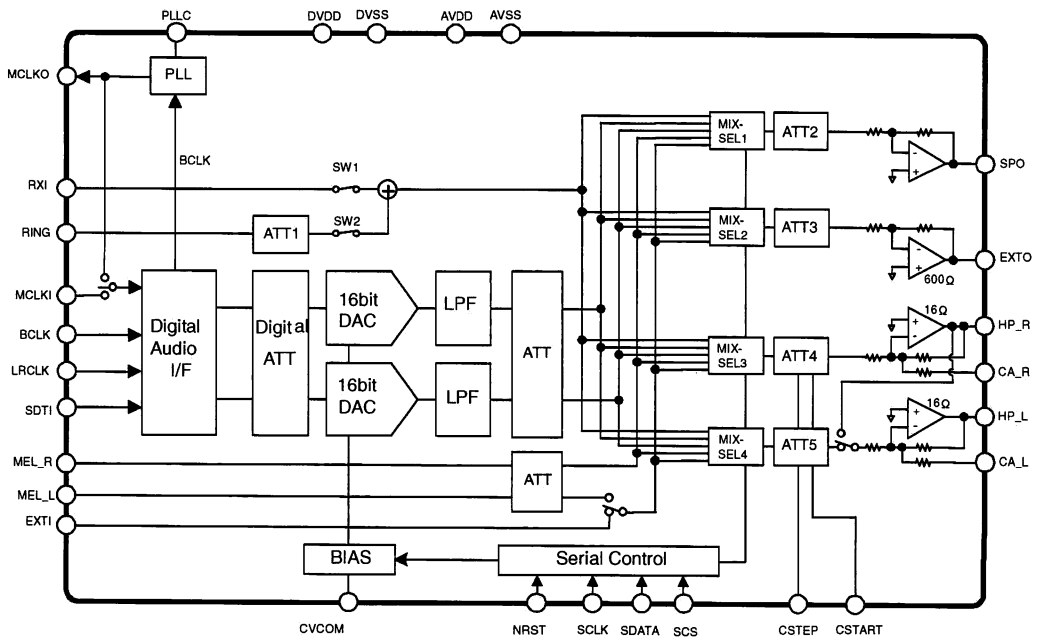


Note) Un-recommended installation at oclosed area with a dotted line.

○Terminals

PIN	PIN Name	PIN	PIN Name
1	SDTI	15	CA_L
2	LRCLK	16	HP_L
3	BCLK	17	AVSS
4	DVDD	18	AVDD
5	DVSS	19	EXTO
6	SCLK	20	SPO
7	SDATA	21	EXTI
8	NCS	22	MEL_L
9	NRST	23	MEL_R
10	CSTEP	24	RING
11	CSTART	25	RXI
12	CVCOM	26	PLL
13	HP_R	27	MCLKO
14	CA_R	28	MCLKI

○Block diagram



○Cautions on use

(1) Absolute Maximum Ratings

An excess in the absolute maximum ratings, such as supply voltage, temperature range of operating conditions, etc., can break down devices, thus making impossible to identify breaking mode such as a short circuit or an open circuit. If any special mode exceeding the absolute maximum ratings is assumed, consideration should be given to take physical safety measures including the use of fuses, etc.

(2) Power supply and GND line

Design PCB pattern to provide low impedance for the wiring between the power supply and the GND lines. Pay attention to the interference by common impedance of layout pattern when there are plural power supplies and GND lines. Especially, when there are GND pattern for small signal and GND pattern for large current included the external circuits, please separate each GND pattern. Furthermore, for all power supply terminals to ICs, mount a capacitor between the power supply and the GND terminal. At the same time, in order to use a capacitor, thoroughly check to be sure the characteristics of the capacitor to be used present no problem including the occurrence of capacity dropout at a low temperature, thus determining the constant.

(3) GND voltage

Make setting of the potential of the GND terminal so that it will be maintained at the minimum in any operating state. Furthermore, check to be sure no terminals are at a potential lower than the GND voltage including an actual electric transient.

(4) Short circuit between terminals and erroneous mounting

In order to mount ICs on a set PCB, pay thorough attention to the direction and offset of the ICs. Erroneous mounting can break down the ICs. Furthermore, if a short circuit occurs due to foreign matters entering between terminals or between the terminal and the power supply or the GND terminal, the ICs can break down.

(5) Operation in strong electromagnetic field

Be noted that using ICs in the strong electromagnetic field can malfunction them.

(6) Input terminals

In terms of the construction of IC, parasitic elements are inevitably formed in relation to potential. The operation of the parasitic element can cause interference with circuit operation, thus resulting in a malfunction and then breakdown of the input terminal. Therefore, pay thorough attention not to handle the input terminals, such as to apply to the input terminals a voltage lower than the GND respectively, so that any parasitic element will operate. Furthermore, do not apply a voltage to the input terminals when no power supply voltage is applied to the IC. In addition, even if the power supply voltage is applied, apply to the input terminals a voltage lower than the power supply voltage or within the guaranteed value of electrical characteristics.

(7) External capacitor

In order to use a ceramic capacitor as the external capacitor, determine the constant with consideration given to a degradation in the nominal capacitance due to DC bias and changes in the capacitance due to temperature, etc.

(8) Other cautions on use

Please consult supplementary documents such as technical notebook, function manual and application notebook of this LSI.

Notes

- No technical content pages of this document may be reproduced in any form or transmitted by any means without prior permission of ROHM CO.,LTD.
- The contents described herein are subject to change without notice. The specifications for the product described in this document are for reference only. Upon actual use, therefore, please request that specifications to be separately delivered.
- Application circuit diagrams and circuit constants contained herein are shown as examples of standard use and operation. Please pay careful attention to the peripheral conditions when designing circuits and deciding upon circuit constants in the set.
- Any data, including, but not limited to application circuit diagrams information, described herein are intended only as illustrations of such devices and not as the specifications for such devices. ROHM CO.,LTD. disclaims any warranty that any use of such devices shall be free from infringement of any third party's intellectual property rights or other proprietary rights, and further, assumes no liability of whatsoever nature in the event of any such infringement, or arising from or connected with or related to the use of such devices.
- Upon the sale of any such devices, other than for buyer's right to use such devices itself, resell or otherwise dispose of the same, no express or implied right or license to practice or commercially exploit any intellectual property rights or other proprietary rights owned or controlled by
- ROHM CO., LTD. is granted to any such buyer.
- Products listed in this document are no antiradiation design.

The products listed in this document are designed to be used with ordinary electronic equipment or devices (such as audio visual equipment, office-automation equipment, communications devices, electrical appliances and electronic toys).

Should you intend to use these products with equipment or devices which require an extremely high level of reliability and the malfunction of which would directly endanger human life (such as medical instruments, transportation equipment, aerospace machinery, nuclear-reactor controllers, fuel controllers and other safety devices), please be sure to consult with our sales representative in advance.

About Export Control Order in Japan

Products described herein are the objects of controlled goods in Annex 1 (Item 16) of Export Trade Control Order in Japan.

In case of export from Japan, please confirm if it applies to "objective" criteria or an "informed" (by MITI clause) on the basis of "catch all controls for Non-Proliferation of Weapons of Mass Destruction.

Thank you for your accessing to ROHM product informations.
More detail product informations and catalogs are available,
please contact your nearest sales office.

Please contact our sales offices for details ;

U.S.A / San Diego	TEL : +1(858)625-3630	FAX : +1(858)625-3670
Atlanta	TEL : +1(770)754-5972	FAX : +1(770)754-0691
Dallas	TEL : +1(972)312-8818	FAX : +1(972)312-0330
Germany / Dusseldorf	TEL : +49(2154)9210	FAX : +49(2154)921400
United Kingdom / London	TEL : +44(1)908-282-666	FAX : +44(1)908-282-528
France / Paris	TEL : +33(0)1 56 97 30 60	FAX : +33(0) 1 56 97 30 80
China / Hong Kong	TEL : +852(2)740-6262	FAX : +852(2)375-8971
Shanghai	TEL : +86(21)6279-2727	FAX : +86(21)6247-2066
Dilian	TEL : +86(411)8230-8549	FAX : +86(411)8230-8537
Beijing	TEL : +86(10)8525-2483	FAX : +86(10)8525-2489
Taiwan / Taipei	TEL : +866(2)2500-6956	FAX : +866(2)2503-2869
Korea / Seoul	TEL : +82(2)8182-700	FAX : +82(2)8182-715
Singapore	TEL : +65-6332-2322	FAX : +65-6332-5662
Malaysia / Kuala Lumpur	TEL : +60(3)7958-8355	FAX : +60(3)7958-8377
Philippines / Manila	TEL : +63(2)807-6872	FAX : +63(2)809-1422
Thailand / Bangkok	TEL : +66(2)254-4890	FAX : +66(2)256-6334

Japan /
(Internal Sales)

Tokyo	2-1-1, Yaesu, Chuo-ku, Tokyo 104-0082	TEL : +81(3)5203-0321	FAX : +81(3)5203-0300
Yokohama	2-4-8, Shin Yokohama, Kohoku-ku, Yokohama, Kanagawa 222-8575	TEL : +81(45)476-2131	FAX : +81(45)476-2128
Nagoya	Dainagayo Building 9F 3-28-12, Meieki, Nakamura-ku, Nagoya, Aichi 450-0002	TEL : +81(52)581-8521	FAX : +81(52)561-2173
Kyoto	579-32 Higashi Shiokouji-cho, Karasuma Nishi-iru, Shiokoujidori, Shimogyo-ku, Kyoto 600-8216	TEL : +81(75)311-2121	FAX : +81(75)314-6559

(Contact address for overseas customers in Japan)

Yokohama	TEL : +81(45)476-9270	FAX : +81(045)476-9271
----------	-----------------------	------------------------